

Assembly Instructions for Moduluxe Plinth Beds

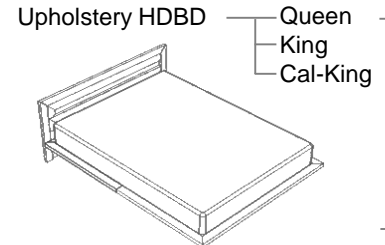
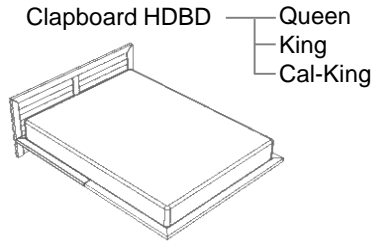
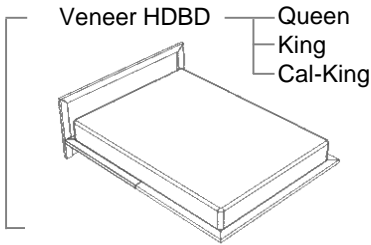
Instructions for the bed types pictured below. Please identify the following items.

Hardware included:

- 35mm – 4mm bolt (Q 26 / K 28 / CK 28)
- 2" – 4mm bolt (Q 8 / K 10 / CK 10)
- 4mm Allen wrench (1)

Components included:

- Headboard (1)
- Plinth box (1)
- HDBD deck / FTBD deck
- Deck spine (1)



Notice: Beds must be disassembled before moving to avoid damage. Never attempt to move the bed while it is assembled. Failure to do so would void the warranty.

Tools required | Allen wrench (provided)



Step 1: Attach plinth base to the headboard (HDBD)

Stand the headboard upright and align the holes in *plinth box ribs* with the holes in *headboard*. Insert and loosely tighten 2" – 4mm bolts by using the provided 4mm Allen wrench. Tighten all the bolts. Level the *HDBD* (2 leveling points) and the *plinth base* by turning the leveling bolts underneath each *HDBD leg* and the *plinth box corner blocks*. (**Figure 1**).

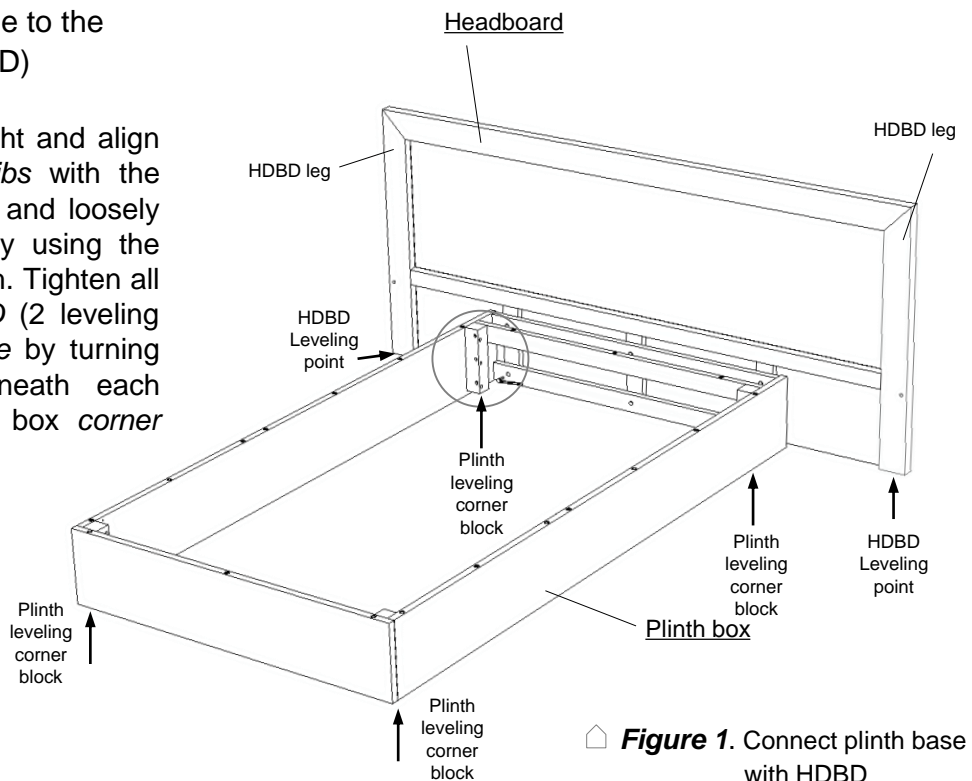
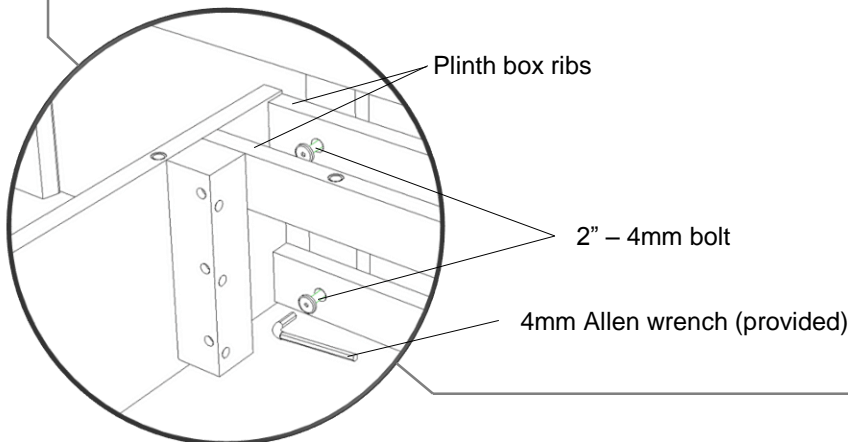


Figure 1. Connect plinth base with HDBD

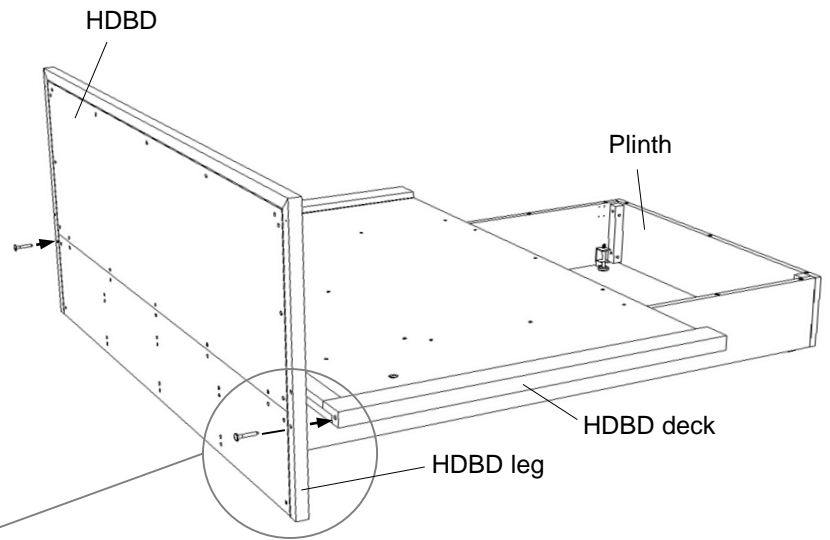


Number of bolts for HDBD

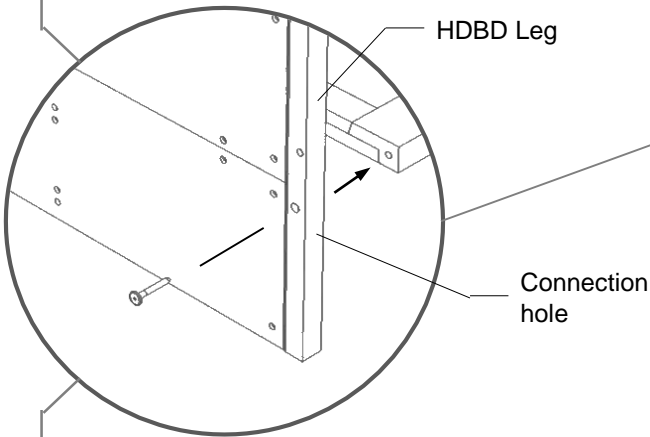
Queen	6
King	8
Cal-King	8

Step 2: Attach headboard (HDBD) deck to headboard (HDBD)

Align the HDBD deck with the HDBD legs. Insert and **loosely** tighten 2" – 4mm bolts through the connection holes from the back of the HDBD legs (**Figure 2**).

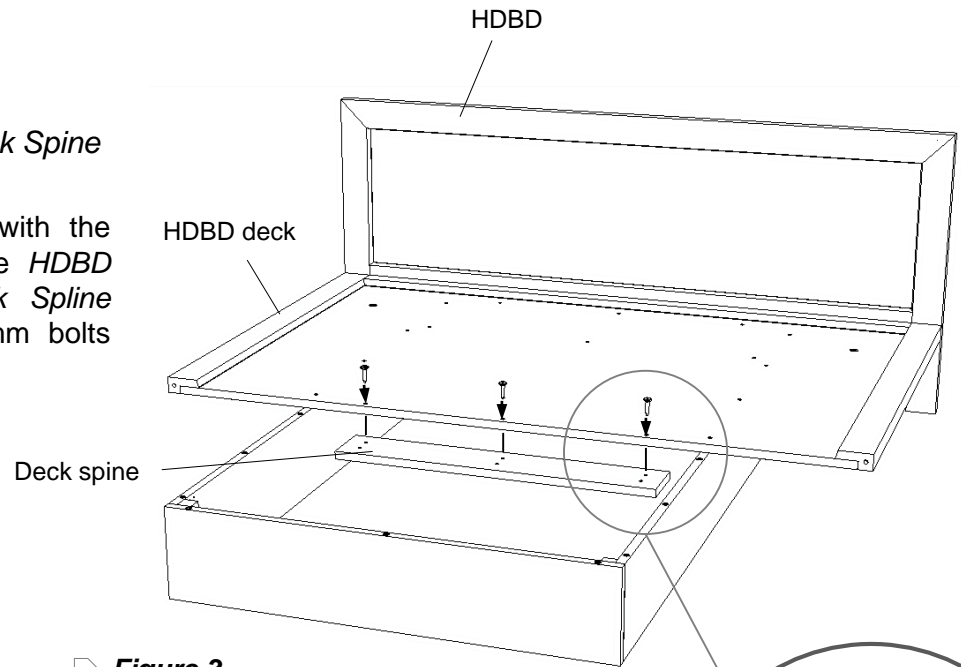


🏠 **Figure 2.** Connect HDBD with deck



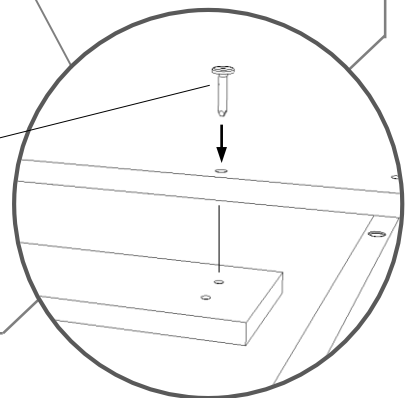
Step 3: Install the Deck Spine

Align the *Deck Spine* with the holes at the end of the *HDBD Deck*. Screw the *Deck Spine* with three 35mm – 4mm bolts (**Figure 3**).



🏠 **Figure 3.** Attach Deck Spine

35mm – 4mm hex bolt



Step 4: Install the *footboard (FTBD) deck*

Attach the *FTBD deck* to the *HDBD deck* by aligning the *connection dowels* on each side of the *HDBD deck*. Screw *FTBD deck* and *deck spine* with three 35mm – 4mm hex bolts (**Figure 4**).

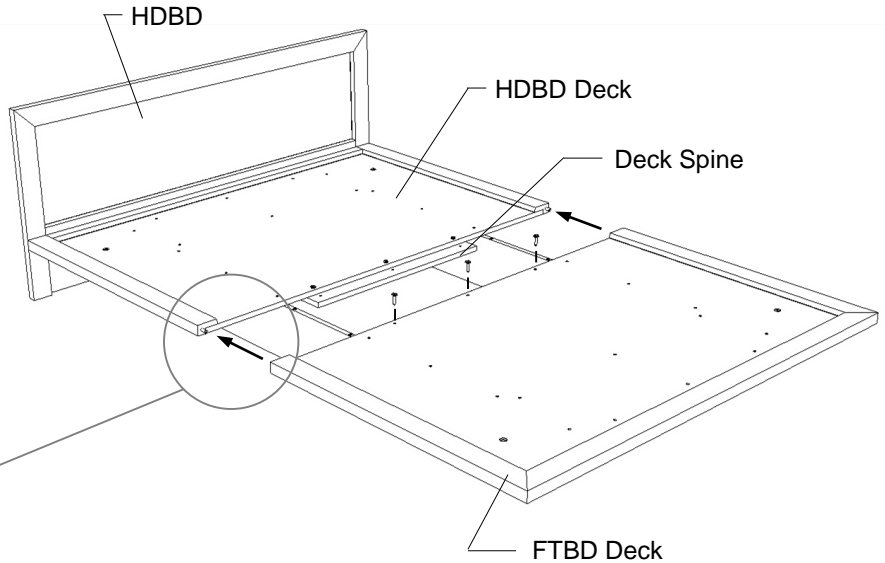


Figure 4. Connecting headboard deck and footboard deck with deck spine

Step 5: Attach the decks to the plinth box

Insert and **loosely** tighten the 35mm – 4mm bolts into the marked holes shown on the right, using the provided Allen wrench. **Finally**, tighten all the screws (**Figure 5**).

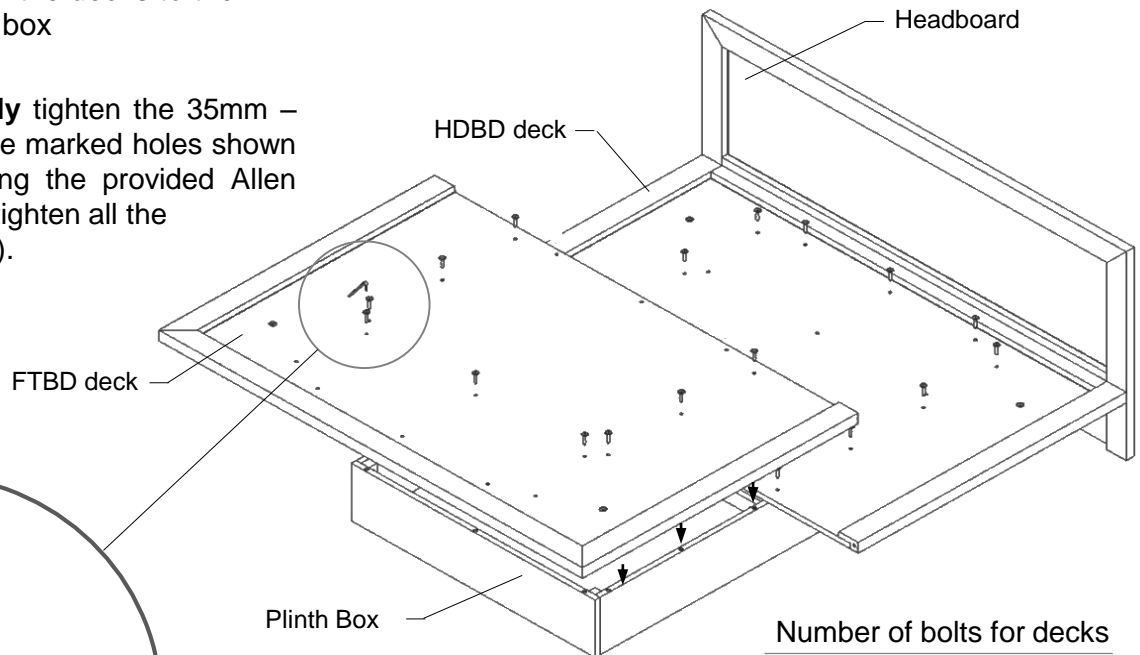


Figure 5. Final tighten the decks

Number of bolts for decks

Queen	26
King	28
Cal-King	28

Allen wrench

35mm – 4mm bolt

Connection Dowel

FTBD deck

Plinth Box

HDBD deck

Headboard

HDBD

HDBD Deck

Deck Spine

FTBD Deck

Care Instructions

To care for and preserve the finish on your new Copeland Furniture piece, please keep the following recommendations in mind.

- While our furniture has been finished with a durable top coat, the surface may be sensitive to dents and abrasions during the first 30 days in your home.
- Treat the surface finish gently so it does not dent or chip. Tape or stickers should not be put on the finish.
- For general care use a soft cloth to dust the furniture.
- Use damp cloth with a mild soap to clean-up spills or dirt. Dry the surface thoroughly.
- Please do not use any polishes, waxes or solvents to clean the surface of the furniture. This holds true for new Copeland Furniture pieces as well as items you may already have in your home.
- Please do not place any candles directly on the surface of your furniture. The perfumes and dyes in the candles may penetrate the finish.
- Beds must be disassembled before moving to avoid damage. Never attempt to move the bed while it is assembled.

Special Care Instructions for Cherry Furniture

Furniture crafted from cherry wood darkens with age. This change in color, from a reddish tan to a reddish brown, results from the natural oxidation of the wood when it is exposed to light. Objects left on a piece of cherry furniture for an extended period will retard this oxidation process and when removed, may leave a lighter colored outline of the object on the surface. With continued exposure to light, this color difference will eventually disappear and the wood will reach a mature even tone.

